

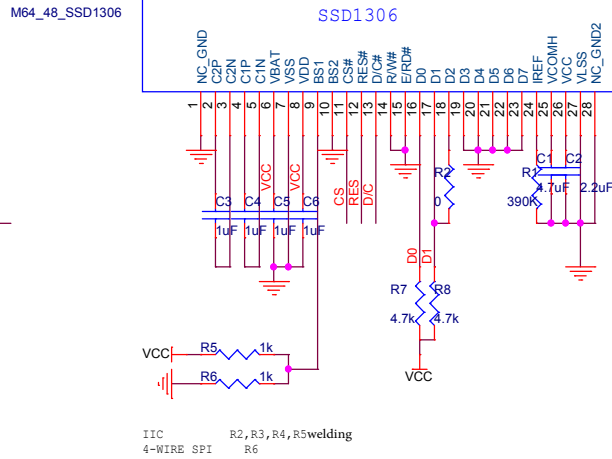
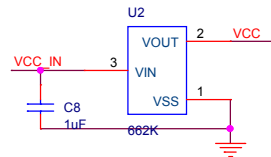
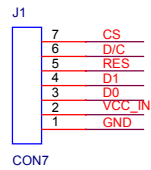
Specification Sheet

Model No. : ZJY006

Description : 0.66inch OLED Screen resolution 64*48
Size:23.44*19mm Driver Chip SSD1306 interface SPI 7Pin
Voltage 3.3-5V Font Color Option White/Blue /Yellow blue
ZJY006

0.66'' 64*48 OLED Module

Interface configuration method:
 4-wire SPI interface soldering: R6
 IIC interface soldering: R5, R2
 R2 can be soldered



Active Area 0.66''
 64*48 Pixels